

**MSC**  
**MODELS**

**February 2012**

## **PRICE LIST**

7mm & 10mm Motors and Gear boxes  
7mm Accessories

### **SHOWS AND MAIL ORDER ONLY**

All enquiries and orders to:

**48a, DITTON HILL ROAD,  
LONG DITTON,  
SURREY,  
KT6 5JD**

**Tel:- 020 8398 2415**

**(MASTERCARD/VISA TAKEN)**

### **CONDITIONS OF SALE**

Whilst every effort is made to maintain prices, MSC Models reserve the right to alter prices without notice at any time.

Prices charged will be those ruling at the date of dispatch of the goods.

Orders from outside the United Kingdom must be accompanied by a sterling cheque drawn on a UK bank, a sterling Eurocheque or sterling bank draft.

Goods are sent at Customer's risk.

Post and Packing charges in this price list relate only to goods dispatched in the UK by Royal Mail or Parcel Force, as appropriate. If goods are to be sent by Royal Mail Special Delivery or Courier, extra payment to cover the cost must accompany the order. Where goods are sent outside the UK, extra payment must accompany the order to cover postal charges and, if required, registration fees.

Further information on MSC Models products can be obtained from our website at [www.mscmodels.co.uk](http://www.mscmodels.co.uk) or by email from [mscmodels@gmail.com](mailto:mscmodels@gmail.com)

**Please note that all motor gearbox unit prices now EXCLUDE the flywheel price. When ordering please state whether a flywheel is required and what type.**

Price	Price	P&P
	GOG/G1/ALSRM/HRCA	
(£)	(£)	(£)

**MOTOR AND GEARBOX UNITS**

**MSC/CRAILCREST**

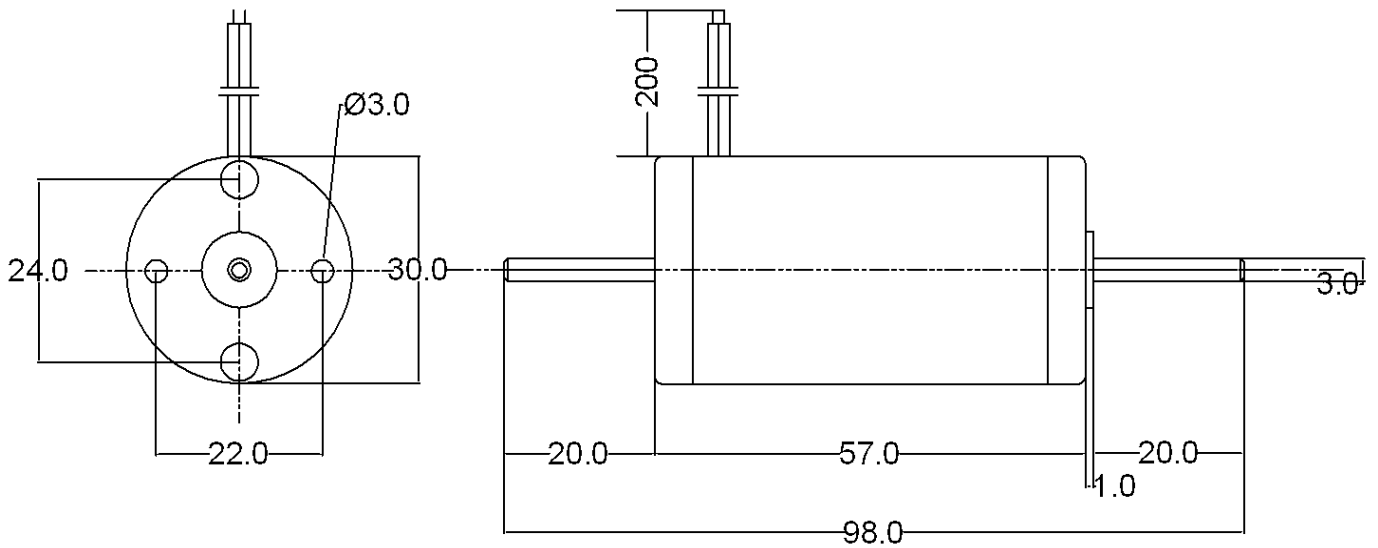
12V Motor suitable for large locos and Gauge 1

Features:-:

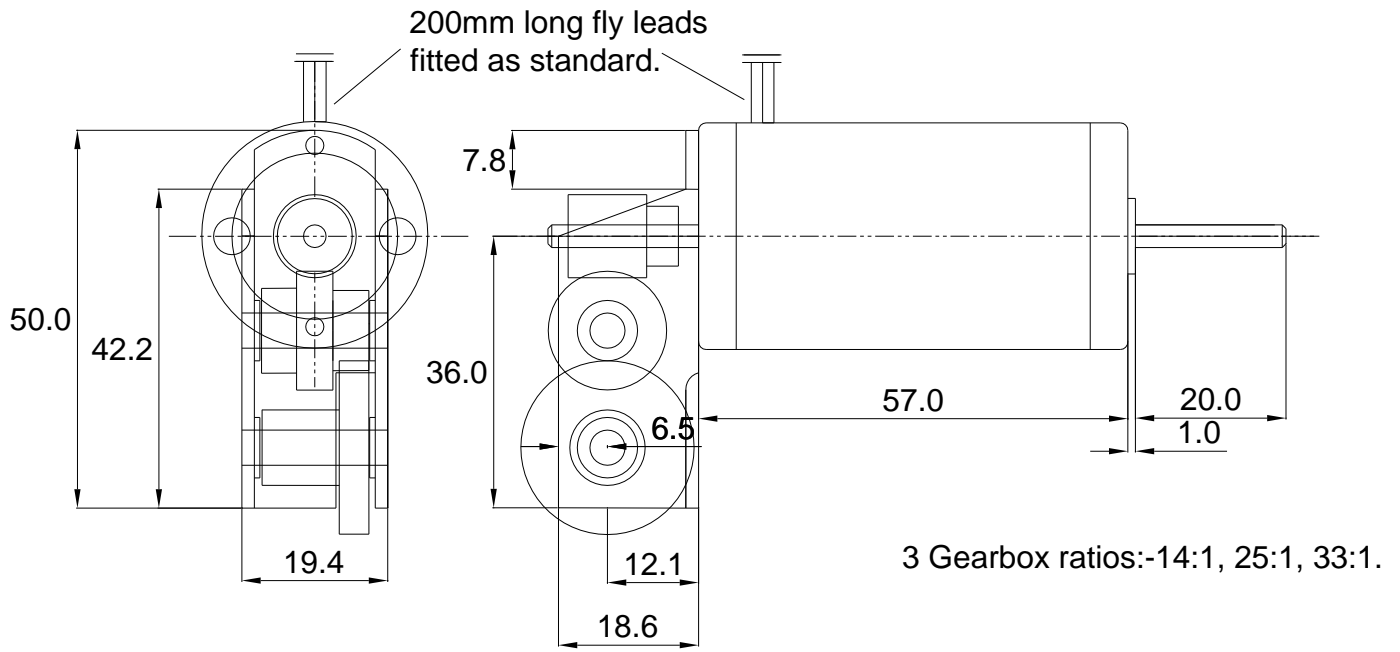
8 pole armature, 3.0mm shaft, 200mm Fly leads fitted as standard.

Ball Races both ends, Rare Earth Magnets, No Load Speed 6200 rpm (+ /- 10%), Rated torque 1Ncm @ 5100 rpm + /-10%, Rated Current < 0.8amps, Stall Current at 12V 4.5amps, Stall Current at 15V > 6amps.

1) Motor only	54.50	41.50	3.00
---------------	-------	-------	------



2) Motor and double reduction gearbox (14:1, 25:1 or 33:1 ratios) unit with:-			
a) 3/16" axle or 1/4" axle	107.50	82.00	3.50
14:1, 25:1 or 33:1 D/R Gearbox unit <u>only</u> with:-			
a) 3/16" axle or 1/4" axle	68.00	52.00	3.00



Price (£)	Price GOG/G1/ALSRM/HRCA (£)	P&P (£)
--------------	-----------------------------------	------------

**MSC/JH**

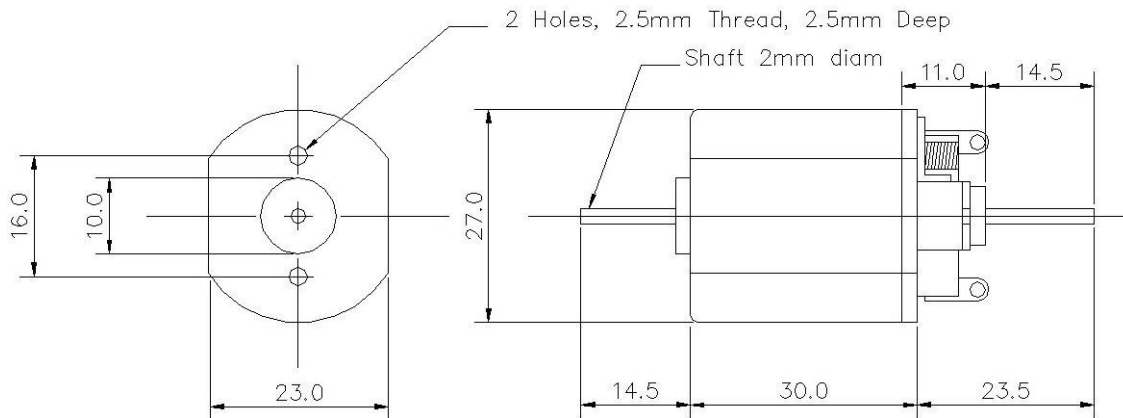
12V Motor suitable for medium size locos

Features:-

5 pole armature, 2.0mm shaft, 8,200 rpm (+ /- 10%),

Stalled torque 409 gram cm

1) Motor only	45.00	34.50	3.00
---------------	-------	-------	------



**2) Standard Gearbox**

Motor and worm reduction gearbox

(12.5:1, 18:1 or 25:1)

66.00	50.00	3.50
-------	-------	------

12.5:1, 18:1 or 25:1 worm reduction gearbox unit only

39.00	30.00	3.00
-------	-------	------

**NB: 12.5:1 gearboxes and units only available while stocks last**

Price	Price GOG/G1/ALSRM/HRCA	P&P
-------	----------------------------	-----

3) **Double Reduction Gearbox**

Motor and double reduction gearbox  
(12.5:1, 19:1 or 25:1 ratios)  
3.50

(£) 94.50

(£)

72.00

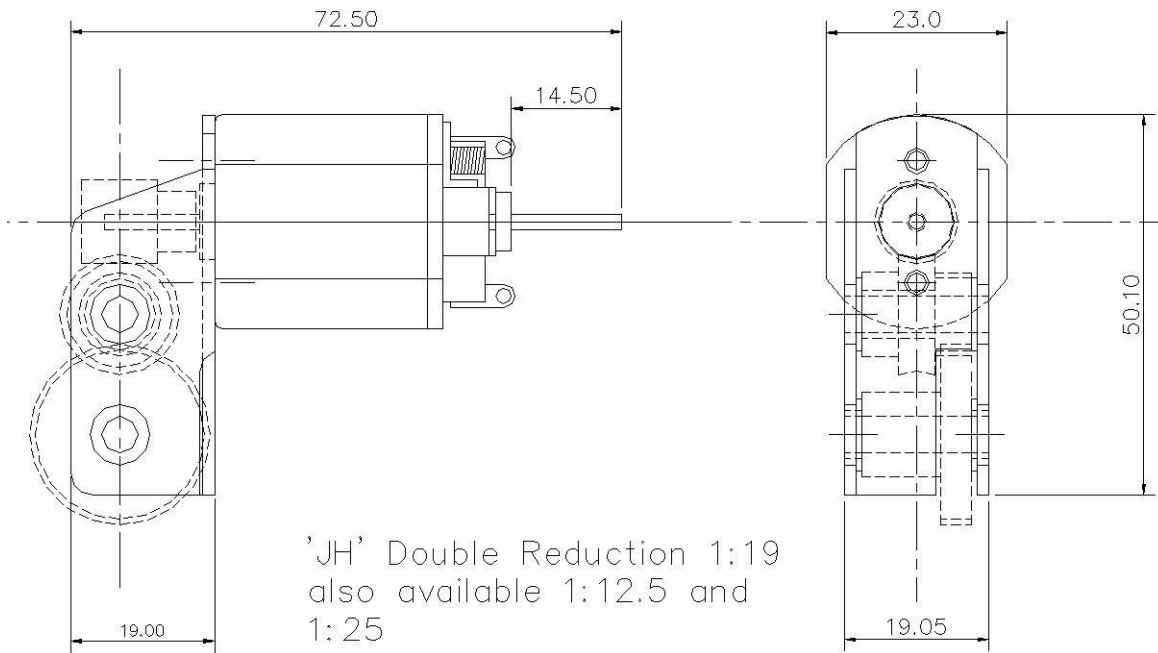
(£)

Double reduction gearbox unit only

(£) 68.00

(£) 51.50

(£) 3.00



**NB: 12.5:1 gearboxes and units only available while stocks last**

**MSC/SM**

12V Motor suitable for small locos

Features:-

5 pole armature, 2.0mm shaft, 8000 rpm (+/- 10%),

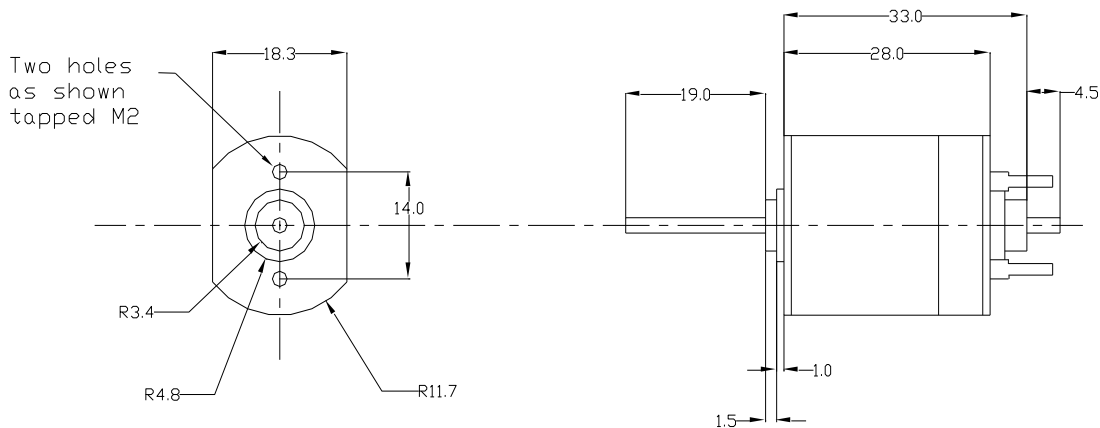
No load/load current 0.12 amps

1) **Motor only**

(£) 31.50

(£) 24.00

(£) 3.00



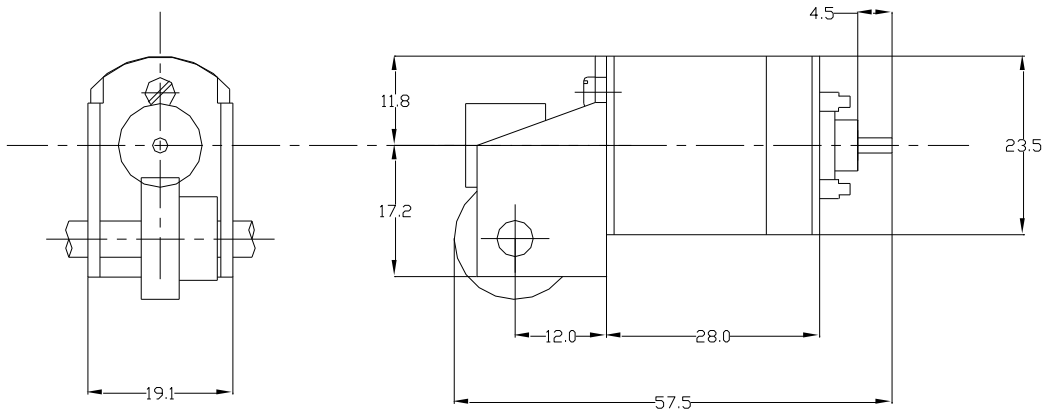
**Price**

**Price**

**P&P**

**GOG/G1/ALSRM/HRCA**

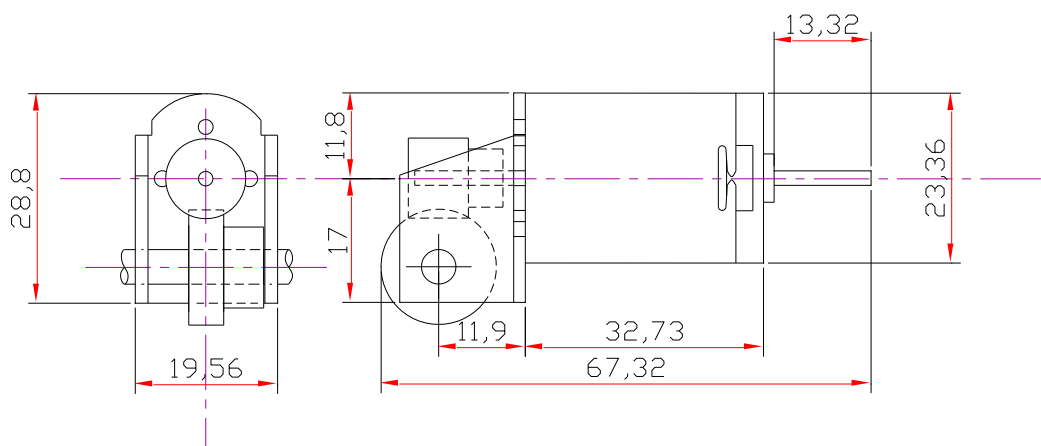
	(£)	(£)	(£)
2) Motor and single reduction gearbox - (12.5: 25:1 or 40:1 ratios) NB – A FLYWHEEL CANNOT BE FITTED TO THIS UNIT	61.00	46.50	3.50
12.5:1, 25:1 or 40:1 single reduction gearbox unit <u>only</u>	44.50	33.50	3.00



**NB: 12.5:1 gearboxes and units only available while stocks last**

**MSC/MSM TYPE (MASHIMA 1833)**

Mashima Motor only	28.00	21.50	3.00
Motor and single reduction gearbox - (25:1 or 40:1 ratio) 3.50	61.00	46.50	
25:1 or 40:1 single reduction gearbox unit <u>only</u> 3.00	48.50	37.00	



**FLYWHEELS**

Flywheels 22.0mm diameter and 2.0mm bore 2.00	5.50	5.50
Flywheels 28.5mm diameter and 2.0mm bore 2.00	5.50	5.50
Flywheels 28.5mm diameter and 2.5mm bore	5.50	5.50

2.00  
 Flywheels 28.5mm diameter and 3.0mm bore  
 2.00

5.50 5.50

**Price** **Price** **P&P**  
**GOG/G1/ALSRM/HRCA**  
**(£)** **(£)** **(£)**

**The MT Helical Range**  
**(formerly marketed by Ron Chaplin)**

**Canon 1833 type motor with solid, machined brass gearbox cradle. Gears are helical and spur gears**

**Motor Gearbox Units Available**

2 Stage 22:1 motor gearbox unit	114.00	88.00	3.50
2 Stage 30:1 motor gearbox unit	114.00	88.00	3.50
3 Stage 30:1 motor gearbox unit	125.00	96.00	3.50
3 Stage 40:1 motor gearbox unit	125.00	96.00	3.50

Diesel 2 Stage 14:1 motor gearbox unit	104.00	80.00	3.50
--	--------	-------	------

**Price** **P&P**  
**(£)** **(£)**

**7mm Scale Accessories**

CARRIAGE WHEELS – steel with pinpoint axles

3' 7" disc wheels including bearings – per axle		3.50
2.00		

3' 7" Maunsell wheels with whitemetal inserts including bearings – per axle		4.50
2.00		

**FULGAREX SLOW ACTION POINT MOTOR**

12V Motor suitable for motorising points, signals and other operating layout features for any gauge.

Operating current is approximately 200mA when motor is running

Switch current is 5A maximum

11.50 2.50

Extra Contacts - per pair

1.70 1.00

**OTHER**

Single link coach/wagon coupling	(pr)	6.00	2.00
----------------------------------	------	------	------

Screw Link couplings	(pr)	5.50	2.00
----------------------	------	------	------

Uncoupler		3.50	2.00
-----------	--	------	------

Plastic Kits – Footbridge – currently out of stock

- Signal Box – basic kit		25.95	3.50
--------------------------	--	-------	------

- Signal Box – with extra interior kit		35.00	4.00
--	--	-------	------

Robust Storage Boxes <b>(Exhibitions only)</b>	small	4.50	-
--	-------	------	---

medium	5.50	-
--------	------	---

large	6.50	-
-------	------	---